



# **5079T**

## **12/24V**

# **INSTALLATION AND USE MANUAL**



Made in Italy

AC 2483 Rev. 08 - 06/14

- 1.0 - CONTENTS
- 2.0 - INTRODUCTION
- 3.0 - SYSTEM DESCRIPTION
- 4.0 - SYSTEM ARMING
- 5.0 - SYSTEM DISARMING
- 6.0 - HOW TO PROGRAM A NEW KEY
- 7.0 - ELECTRICAL CONNECTIONS
- 8.0 - WIRING DIAGRAM
- 9.0 - WARRANTY CONDITIONS
- 10.0 - TECHNICAL DATA
- 11.0 - WASTE ELECTRICAL AND ELECTRONIC EQUIPMENT (WEEE) DIRECTIVE

Homologation number 5079T Cat 2:
----------------------------------

TQA427
--------

## 2.0 - INTRODUCTION

**The Gemini 5079T immobilizer is designed to be installed on vehicles with a 12 or 24V battery supply.**

## 3.0 - SYSTEM DESCRIPTION

- Automatically adapts to 12 or 24 Volt vehicles.
- Double engine immobilizer with 30 Amp relay.
- Automatic arming.
- Disarming via electronic override key.
- The unit is supplied with 2 random rolling code electronic override keys (art. CDE2).

## 4.0 - ARMING

The 5079T immobilizer passively arms:

- 5 minutes after the engine is switched OFF and no door is opened.
- Approx. 30 seconds after the engine is switched OFF and a door is opened.
- Approx. 30 seconds after disarming the system via electronic key.

A flashing LED indicates an armed condition; the vehicle can no longer be started.

## 5.0 - DISARMING

To disarm the system, touch the electronic key to its receptacle; the LED will stop flashing to indicate the system has been disarmed.

## 6.0 - HOW TO PROGRAM A NEW KEY

1. Switch the system OFF.
2. Connect the BLACK wire marked HW to the vehicle ground.
3. Turn ignition key "ON" and then "OFF".
4. Insert the new electronic key in its receptacle. The LED will flash once to confirm learning.
5. Repeat steps 3 and 4 for each new key to be learned.

If the immobilizer is connected to an alarm system, repeat procedure from step 3 and press the remote control button; the LED will flash to confirm learning.

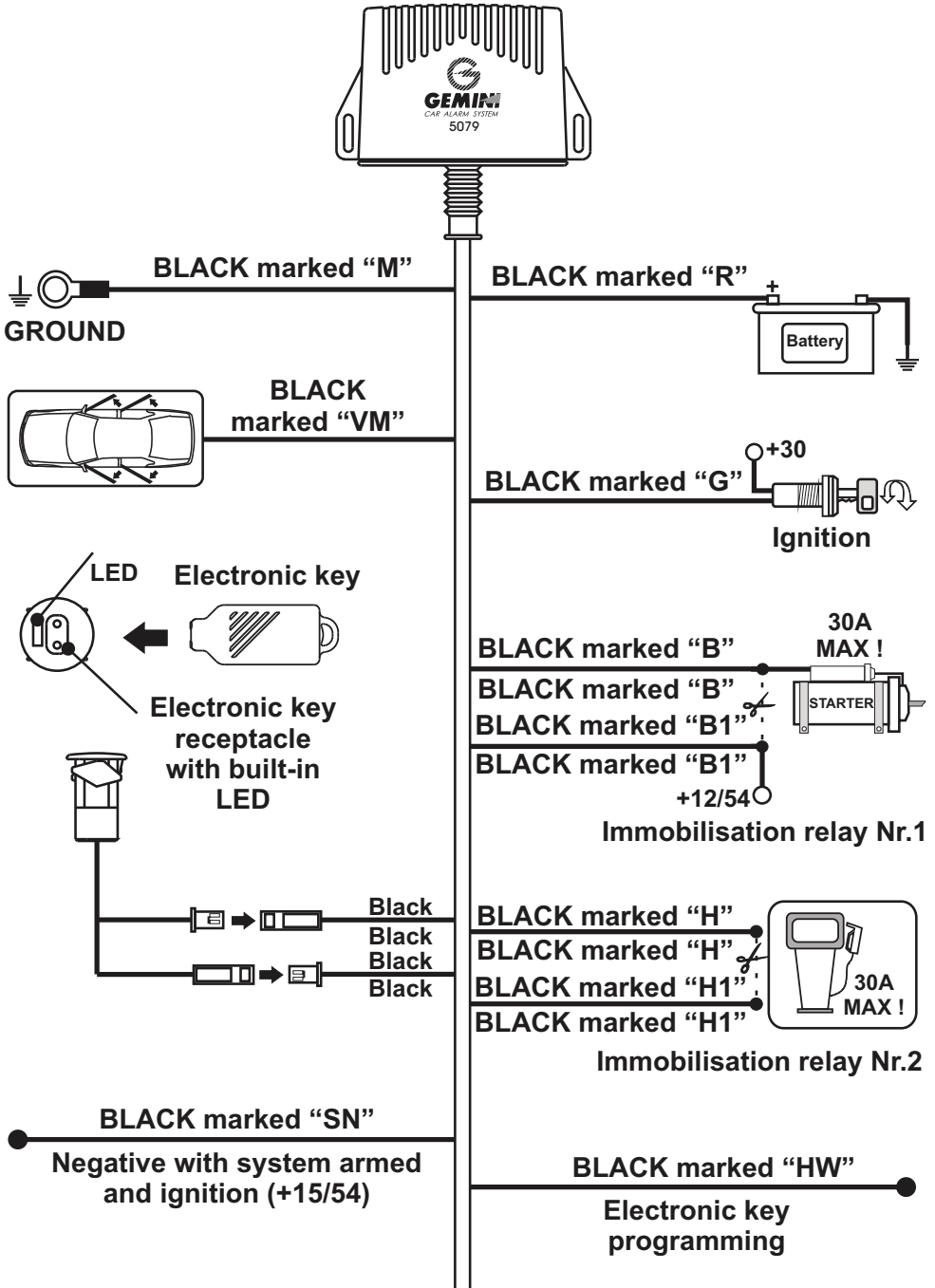
**NB: The unit can learn up to 12 electronic keys when in disarm mode.**

## 7.0 - ELECTRICAL CONNECTIONS

Disconnect the negative battery terminal and only re-connect after the installation is completed.

GROUND	→	BLACK marked "M"
BATTERY POSITIVE TERMINAL	→	BLACK marked "R"
IMMOBILISATION RELAY 1	→	2x BLACK marked "B" 2x BLACK marked "B1"
IMMOBILISATION RELAY 2	→	2x BLACK marked "H" 2x BLACK marked "H1"
IGNITION	→	BLACK marked "G"
DOOR SWITCH	→	BLACK marked "VM"
WIRE TO PROGRAM NEW KEY	→	BLACK marked "HW"
NEGATIVE OUTPUT WITH SYSTEM ARMED AND +15/54 ACTIVATED	→	BLACK marked "SN"

# 8.0 - WIRING DIAGRAM



## 9.0 - WARRANTY CONDITIONS

This product is guaranteed to be free from manufacturing defects for a period of 24 months from the installation date shown on this warranty, in compliance with Warranty Directive 1999/44/CE.

Please fill-in entirely the guarantee certificate included in this booklet and DO NOT REMOVE the guarantee label from the device.

The warranty will become void if labels are missing or torn, if the installation certificate is not fully compiled or if the enclosed sale document is missing.

The warranty is valid exclusively at Authorized Gemini Technologies service centers.

The manufacturer declines any responsibility for eventual malfunctions of the device or any damage to the vehicle electrical system due to improper installation, use or tampering.

The 5079T immobilizer is solely intended to be a theft-deterrent device.

## 10.0 - TECHNICAL SPECIFICATIONS

<b>Power supply</b>	<b>12/24 Vdc</b>
<b>Current absorption</b>	<b>2mA</b>
<b>Operating temperature</b>	<b>-30°C +85°C</b>
<b>Relay max current capacity</b>	<b>30A</b>
<b>Enclosure - Degree of protection</b>	<b>IP40</b>
<b>Storing memory</b>	<b>Up to 12 codes</b>

## 11.0 - WASTE ELECTRICAL AND ELECTRONIC EQUIPMENT (WEEE) DIRECTIVE

The present device does not fall within the scope of Directive 2002/96/EC on Waste Electrical and Electronic Equipment (WEEE) as specified in art. 2.1 of L.D. no. 151 of 25/07/2005.



**Aftermarket Vehicle Solutions Limited**

7 Dudley Court , Jessop Close, Clacton-on-Sea, Essex, CO15 4LY

TEL: +44 (0) 1255 434353

Email: [sales@avsgemini.com](mailto:sales@avsgemini.com) | Web: [www.avsgemini.com](http://www.avsgemini.com)

UK Distributors of the Gemini Alarm Systems

AVS reserve the right to effect changes to the product without further notice. E&OE