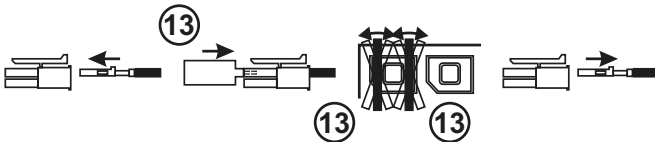
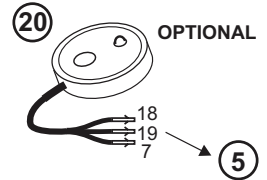
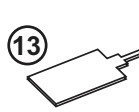
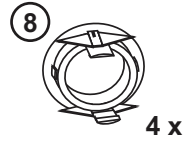
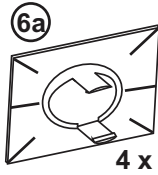
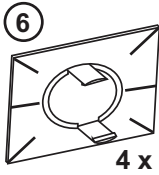
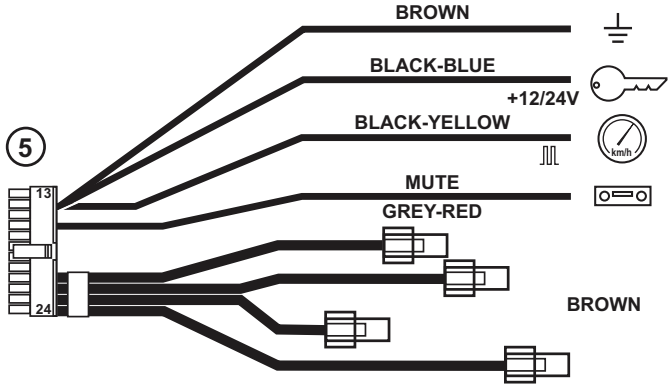
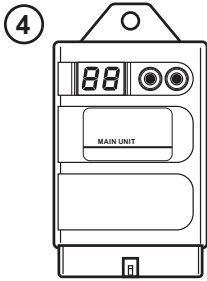
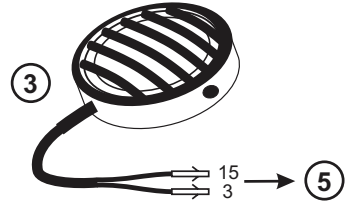
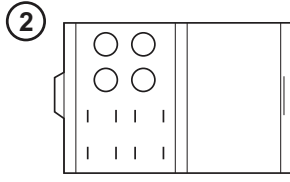
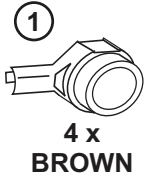




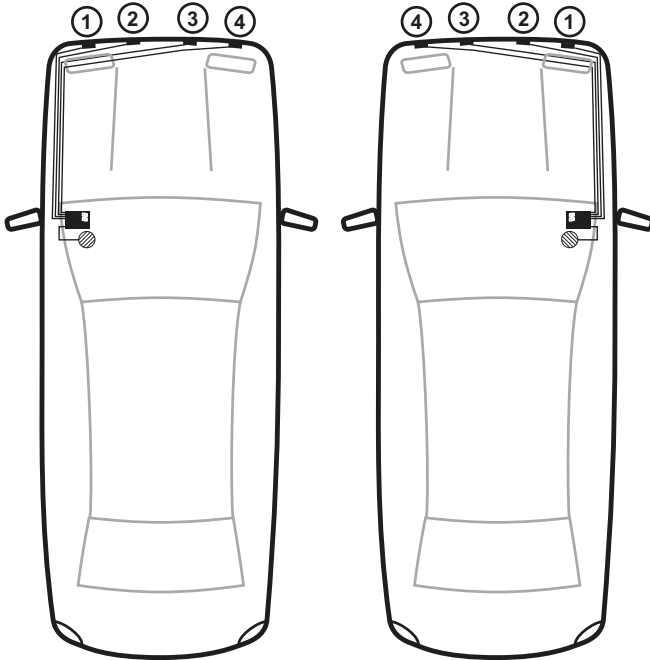
KIT Parking Sensor 814FH

INSTALLATION AND USE MANUAL





How to remove a terminal with the adequate tool (13).



Sensor 1: front with shortest cable.
 Sensor 4: front with longest cable.

TECHNICAL SPECIFICATIONS

Supply voltage	From 9 to 30 Vdc
Current consumption when ignition is ON	200mA max.
Service temperature range	From -30°C to +70°C
Ultrasound frequency	40Khz



CONTENTS

1.0 - PRELIMINARY ADVICE.....	PAGE 02
2.0 - WARRANTY CONDITIONS.....	PAGE 02

USER MANUAL

3.0 - SYSTEM OPERATION.....	PAGE 03
3.1 - Detection Zones.....	PAGE 03
3.2 - Automatic activation of sensors (odometer signal).....	PAGE 03
3.3 - Timer-activated sensors (odometer not connected).....	PAGE 04
4.0 - TROUBLESHOOTING GUIDE.....	PAGE 04
4.1 - Low power supply signal.....	PAGE 04
4.2 - Faulty sensors.....	PAGE 04
4.3 - Others.....	PAGE 04

INSTALLER MANUAL

5.0 - INSTALLATION OF SENSORS.....	PAGE 05
6.0 - CONNECTIONS.....	PAGE 07
7.0 - PROGRAMMING.....	PAGE 08
8.0 - SETTING OF PARAMETERS.....	PAGE 09
9.0 - TESTING.....	PAGE 09
10.0 - WASTE ELECTRICAL AND ELECTRONIC EQUIPMENT (WEEE) DIRECTIVE....	PAGE 09

1.0 - PRELIMINARY ADVICE

Dear customer,

Before installing, identify your kit and refer to it for the correct instructions.

The Caution and Warning signs in this manual provide important notices for installing and using this product.

Be sure to follow them in order to ensure a safe and reliable use:



For the user.

This sign highlights useful information or indications regarding the use of the parking system.



For the installer.

This sign indicates various operating modes according to connections and programming of the system or it simply provides useful indications for the installation.

2.0 - WARRANTY CONDITIONS

This product is guaranteed to be free from defects in workmanship for a period of 24 months from the date of installation reported on this warranty, in compliance with the 1999/44/CE Warranty Directive (L. D. N° 24 of the 02/02/2002).

Please fill-in entirely the guarantee certificate included in this booklet and **DO NOT REMOVE** the guarantee label from the device.

The warranty will become void if labels are missing or torn, if the installation certificate is not fully compiled or if the enclosed sale document is missing.

The warranty is valid exclusively at authorized Gemini Technologies centers.

The manufacturer declines any responsibility for eventual malfunctions of the parking sensors or any damage to the vehicle electrical system due to improper installation, use or tampering.

The parking system is strictly a parking assist device, it should not be considered to be a safety device for any purpose.

USER MANUAL

3.0 - SYSTEM OPERATION



Remember to always look all around the vehicle while parking.
Small obstacles or objects with low reflectance might not be detected.



The parking system is designed only as a parking aid, it should not be considered to replace care and attentiveness while manoeuvring.

3.1 - DETECTION ZONES



Detection zones are indicated as "F" (front).
Detection zones closest to the obstacle are indicated as "FC".
The STOP zone is the minimum distance detected between an obstacle and the sensor.
In this case the warning tone is solid.



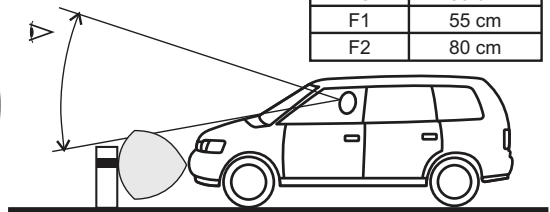
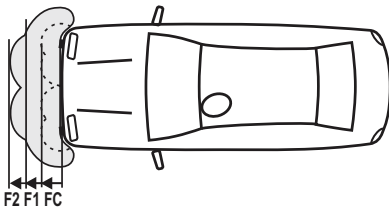
The detection range and the volume of the buzzer can be adjusted (see setting of parameters) according to the needs of the user and the vehicle on which the system is installed.

The stage-by-stage sound alert will vary according to the detection zone.



For the overall functionality of the parking system, check the programming of the sensors.

ZONE	DISTANCE
FC	35 cm
F1	55 cm
F2	80 cm



3.2 - AUTOMATIC ACTIVATION OF SENSORS (odometer signal)

When contact is turned ON, the parking system is active and stays ON until the vehicle speed stays under approx. 15km/h (set odometer pulses according to vehicle, parameter 11).

When the speed is higher than 15km/h, the front sensors are not in operation and the LED is off.

A LED lights up to let you know the sensors are activated and turns off when they are not in operation. Press the button with the LED to deactivate the sensors (ex. when in queue).

The push-button can be:

- Short-pressed (about 1 sec.): sensors are deactivated until the button is pressed again.
- Long-pressed (about 5 sec., you will hear a beep): sensors remain deactivated until ignition is turned OFF and ON again.

3.3 - TIME-ACTIVATED SENSORS (odometer not connected)



Check setting of function 12 (delay in deactivation of front sensors, "setting of parameters").

The front sensors can be activated by turning the ignition ON or by pressing the push-button with the LED.

Operation is directly related to the setting of the parameters.

To activate the sensors through the push-button, press it at the beginning of the manoeuvre; once you have parked, short press the push-button again to deactivate the sensors.

To deactivate the sensors totally, press and hold the button for at least 5 sec.; a beep confirms the operation. They will remain switched off until the engine is turned OFF and ON again.

By modifying the time setting of the front sensors (function 12, preset value "00"), the front sensors will work as follows:

- If, within the preset time, no obstacle is detected in front of the vehicle, the sensors will automatically be deactivated.
- If, within the preset time, the obstacle is still detected, the sensors will remain active as long as the obstacle is detected and will deactivate 3" after detecting the last obstacle.
- If you need to use the front sensors again after the automatic deactivation, simply press the push-button with the LED. The sensors will automatically deactivate 3" after detecting the last obstacle.

4.0 - TROUBLESHOOTING GUIDE

4.1 - LOW POWER SUPPLY SIGNAL

If, when the control unit is turned on, the battery level is too low to guarantee the accuracy of the system, the buzzer will almost immediately give out a deep warning tone for 5".

This will inform that ALL the sensors are deactivated.

The driver will therefore know that he will have to do without the parking sensors.

4.2 - FAULTY SENSORS

If, when the control unit is turned on, one of the sensors turns out to be inoperative or not connected, an audio signal will sound for 3".

If more than one sensor is inoperative, the number of the faulty sensors will be alternatively displayed on the main control unit.

E1

Sensor 1 inoperative.

E4

Sensor 4 inoperative.



One single faulty sensor alters the correct functioning of the whole parking system.

4.3 - OTHERS

POSSIBLE CAUSE	SOLUTION
Ice on sensors	Clean the sensors
Sensors mounted too low	Use the angle brackets to tilt axe of sensors upwards
Back part of sensors in contact with frame	Create a separation between the sensors and the vehicle



If necessary, adjust the sensors sensitivity level (see chap. 8.0, setting of parameter - parameter 17).

INSTALLER MANUAL

5.0 - INSTALLATION OF SENSORS

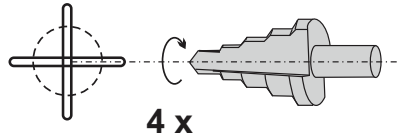
Choose the suitable type of plastic bracket and mark the center of the holes to drill. For brackets "6" drill holes with a 18mm diameter, for brackets "6a" drill holes with a 22mm diameter and for bracket "8" drill holes with a 24mm diameter.

Sensors and plastic brackets can be painted to match the color of your bumpers.

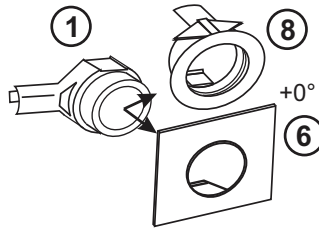
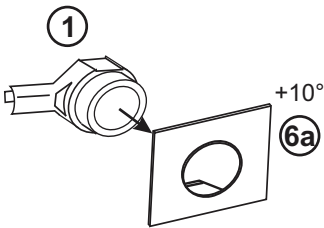
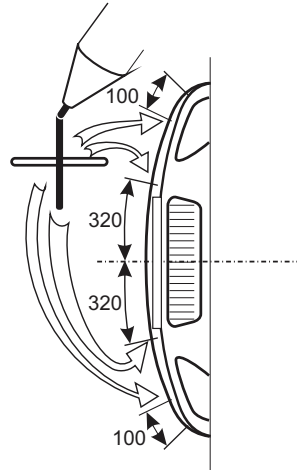
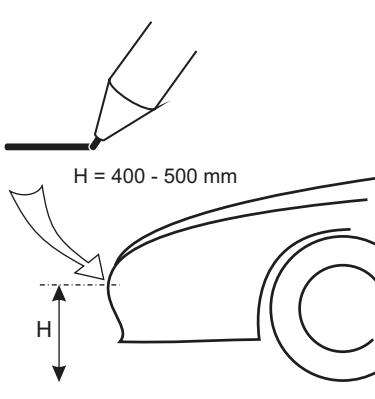
①+⑥ → Ø 18

①+⑥a → Ø 22

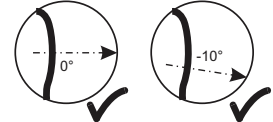
①+⑧ → Ø 24



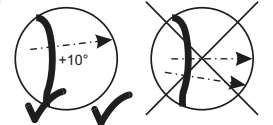
Before drilling, inspect behind the bumper to check for any possible obstruction such as iron struts and, in any case, be careful to avoid damaging parts behind the bumper.



H = 500 mm H = 650 mm

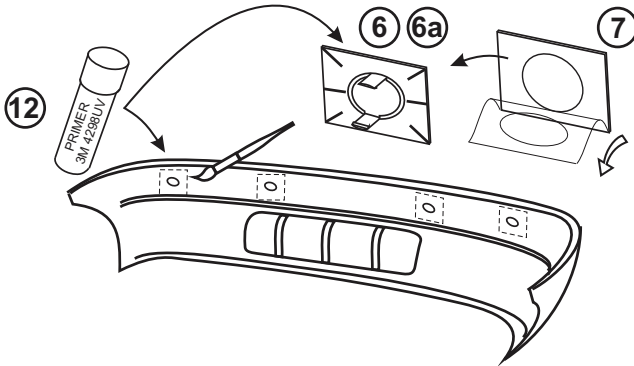


H = 350 mm



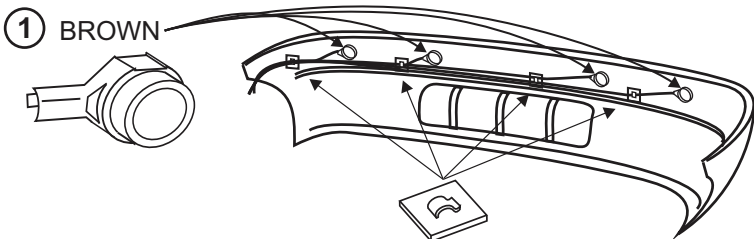
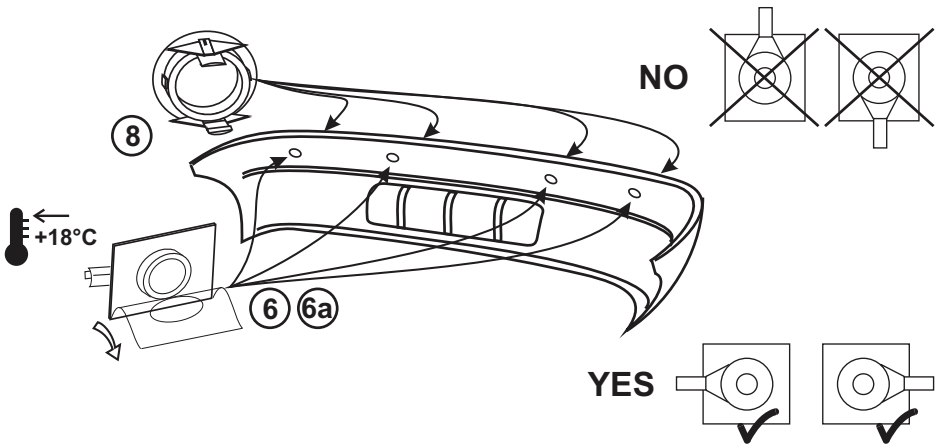


Clean thoroughly the plastic brackets (6 or 6a) and around the holes, apply "PRIMER" (12), let dry for at least one minute and then proceed as follows.

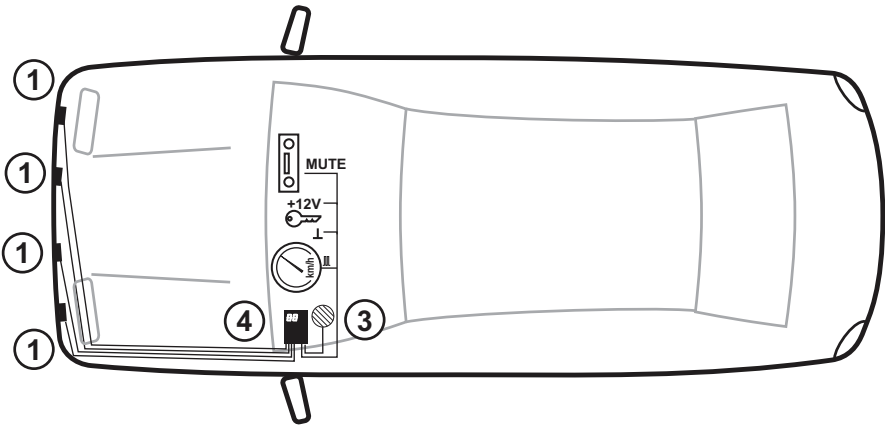


Remove the protective film from the adhesive (7) and apply it to the bracket (6 or 6a) or snap the bracke (8) in the hole from the outer part of the bumper.

In both cases position the plastic brackets so that the connector of the sensor comes out horizontally.



6.0 - CONNECTIONS



Check the length of the cables before proceeding with the final positioning of the accessories.

- Position the control unit (4) under the driver dash, in a dry place, away from eventual water infiltrations and heat sources.
- Run the cables along the front bumper and route them inside the vehicle cabin.
- Fix the buzzer (3) inside the vehicle cabin where you can hear the warning signal. Make sure you install it in a dry spot, away from eventual water infiltrations and heat sources.
- Fix the LED push-button (20, optional) where it can be easily reached.
- Connect the BLACK-BLUE wire of the main control unit (4) to the positive under key of the vehicle.
- Connect the BROWN wire to the metal frame of the vehicle.
- (Optional) connect the BLACK-YELLOW wire to the odometer signal of the vehicle (see chapter "setting of parameters" for the programming of the pulses).



For the system to activate every time reverse is engaged, connect the BLACK-YELLOW wire to the reverse gear positive wire, set speed signal pulses to 1 (par. 8, parameter 11) and increase deactivation delay to more than 10 seconds (par. 8, parameter 12).

For system operation see paragraph 3.3.

- Plug the buzzer terminals with the YELLOW and BLUE wires to the main control unit wiring harness connector (5), respectively in positions 15 and 3.
- Plug the LED push-button (optional) terminals with the RED, WHITE and BLACK wires to the main control unit wiring harness connector (5), respectively in positions 18, 19 and 7.
- (Optional) connect the GREY-RED wire for the "mute" feature to the corresponding wire of the car radio preset for this feature.
- Plug the 24-way connector of the unit wiring (5) into the corresponding connector of the main control unit (4).

7.0 - PROGRAMMING



Only expert users should modify these settings to avoid malfunctions of the parking system.

The display will indicate:

FS: Factory Setting, standard adjustment, "Factory parameters".

CS: Custom Setting, user-chosen adjustment, "Custom Parameters".

To activate the programming procedure proceed as follows:

Press one of the two push-buttons on the control unit and keep it pressed for at least two seconds; the system will activate and enter in the programming mode.

Press the left push-button to go to the previous parameter.

Press the right push-button to go to the next parameter.

When the parameter you want to modify is displayed, press one of the push-buttons and keep it pressed until the display starts to blink; at this point you can modify the parameter.

Press the left push-button to decrease the value of the parameter.

Press the right push-button to increase the value of the parameter.

Press one of the two push-buttons on the control unit and keep it pressed for at least two seconds to register the value.

The display will stop blinking and the selected parameter will be displayed.

If no button is pressed within 10 seconds, the system will exit the programming mode.



Press the two push-buttons on the control unit and keep them pressed for more than two seconds to reset all the factory settings (FS).

8.0 - SETTING OF PARAMETERS

Nr.	PARAMETERS	RANGE	SETTING
01	Volume of buzzer	0, 1, 2 (Ref.1)	2
02	Detection range of front central sensors	From 50 to 95 cm	80
03	Detection range of front corner sensors	From 50 to 95 cm	55
06	STOP zone of front central sensors	From 35 to 50 cm	35
07	STOP zone of front corner sensors	From 35 to 50 cm	35
11	Number of speed signal pulses	From 1 to 99 (Ref.2)	3
12	Delay of front sensors deactivation	0 or from 10 to 60 sec. (Ref.3)	00
15	Service display (testing)	0, 1, 3 (Ref.4)	0
16	Continuous detection zone F1 and F2	0,1 (Ref.5)	0
17	Sensitivity to detect obstacles	1, 2, 3 (Ref.6)	2

Ref.1: 0 deactivated, 1 low, 2 high.

Ref.2: by setting "1", the system activates also when reverse gear is engaged. For connections and operation see par. 6.0 and 3.3.

Ref.3: by setting "00", the system is activated every time ignition is turned on; to deactivate, press the push-button with the LED (optional). Press again to reengage the sensors.

Ref.4: 0 not activated, 1 distance from the closest front obstacle, 3 vehicle speed (in km/h, for programming refer to parameter 11).

Ref.5: 0 deactivated, 1 activated.

Ref.6: 1 low, 2 standard, 3 high.

9.0 - TESTING

- Press one of the two push-buttons on the control unit to enter in the programming mode.
- Select parameter "15" (see "Setting of parameters").
- Press and keep pressed one of the two push-buttons and select test (1 for testing the sensors or 3 for detection speed).
- Press and keep pressed one of the two push-buttons; the display will show "--".
- Proceed with the sensors test; the system will indicate the value detected in real time.
- Reprogram setting of parameter to "0".
- Press one of the two push-buttons and keep it pressed until the previously selected parameter is displayed (15).
- The system will automatically exit the programming mode 10 seconds after the push-button has been pressed.

10.0 - WASTE ELECTRICAL AND ELECTRONIC EQUIPMENT (WEEE) DIRECTIVE

The present device does not fall within the scope of Directive 2002/96/EC on Waste Electrical and Electronic Equipment (WEEE) as specified in art. 2.1 of L.D. no. 151 of 25/07/2005.



Aftermarket Vehicle Solutions Limited

7 Dudley Court , Jessop Close, Clacton-on-Sea, Essex, CO15 4LY

TEL: +44 (0) 1255 434353

Email: sales@avsgemini.com | Web: www.avsgemini.com

UK Distributors of the Gemini Alarm Systems

AVS reserve the right to effect changes to the product without further notice. E&OE